

FERM®

POWER SINCE 1965



GRM1024

EN Original instructions

03

WWW.FERM.COM

CE



Fig. 1

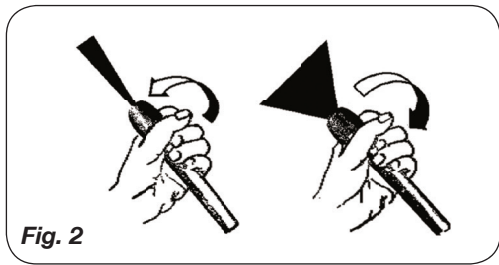


Fig. 2

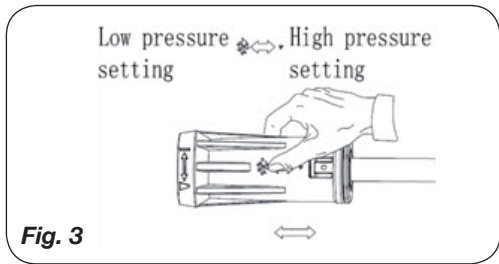


Fig. 3

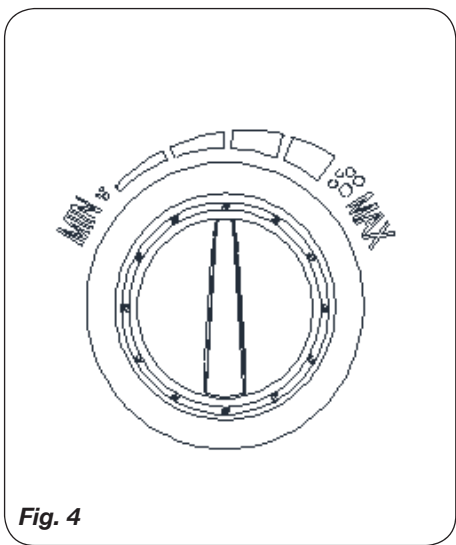


Fig. 4

HIGH PRESSURE CLEANER

The numbers in the text refer to the diagrams on page 2.



For your own safety and that of others, we recommend that you read this instruction manual carefully before using this machine. Keep this instruction manual and the documentation provided with the machine for future reference.

Introduction

The high pressure cleaner GRM1024 is quick and efficient for cleaning vehicles, machines, boats, buildings, etc., by the removal of persistent dirt using clean water and chemical detergents.

When using chemical detergents, only use biodegradable types. Only clean vehicle engines in areas in which suitable oil traps are installed.

Contents

1. Machine information
2. Safety instructions
3. Assembly
4. Use
5. Service & maintenance

1. MACHINE INFORMATION

Technical specifications

| | |
|----------------------------|----------------------|
| Voltage | 220-240V~ 50 Hz |
| Input power | 2500 W |
| Max. pressure water supply | 12 bar |
| Max. working pressure | 160 bar |
| Max. water temperature | 50° C |
| Max. working flow rate | 7.0 l/min |
| Weight | 20.3 kg |
| IP class | IPX5 |
| LWA(acoustic power) | 86 dB(A) |
| Vibration value | <2.0m/s ² |

Product information

Fig. 1

1. High pressure washer
2. On/off switch
3. Water inlet
4. Wheel
5. Spray gun holder
6. Handle
7. Hose hook

8. Spray gun
9. Adjustable Spray Lance
10. Turbo lance
11. Turbo lance adapter
12. Inlet filter
13. High pressure hose
14. Detergent adjustment

2. SAFETY INSTRUCTIONS

Explanation of the symbols



Denotes risk of personal injury, loss of life or damage to the tool in case of non-observance of the instructions in this manual.



Indicates electrical shock hazard.



DO NOT direct the water jet towards people or animals. **DO NOT** direct the water jet towards the unit itself, electrical parts or towards other electrical



The machine is not intended to be connected to the potable water mains.

Safety instructions

When using electric machines always observe the safety regulations applicable in your country to reduce the risk of fire, electric shock and personal injury. Read the following safety instructions and also the enclosed safety instructions.

Electrical safety

- Always check if your mains voltage corresponds with the value on the type plate.
- When replacing old cables or plugs:
- Throw away old cables or plugs immediately as soon as new ones have replaced these. It is dangerous to put the plug of a loose cable into the socket outlet.
- When using extension cables:
- Only use an approved extension cable that is suitable for the machine's power. The cores must have a diameter of at least 1.5 mm². When the extension cable is on a reel, unroll the cable in its entirety.

- All electrical connections e.g. extension cable, must be of an approved waterproof type for outdoor use and marked accordingly. Extension cables must be three-core, one of which is EARTH.
- The cleaner must be used standing on a secure, stable surface.
- Avoid unintentional firing of the trigger. Do not carry the lance/ trigger assembly with your hand over the trigger. Always use the trigger lock mechanism.

Immediately switch off the machine when:

- Interruption of the mains plug, mains lead or mains lead damage.
- Defect switch
- Smoke or stench of scorched isolation

Specific safety rules

The USE and MAINTENANCE manual constitutes an essential part of the cleaner equipment and should be kept in a safe place for future reference. If you sell the cleaner, the manual should be handed on to the new owner.

- Before starting the cleaner, make sure that it is receiving water correctly. Operating the cleaner without water could damage the seals.
- Do not disconnect the plug by pulling on the electrical cable.
- If you are too far from the object you wish to clean, do not move the cleaner nearer by pulling on the high pressure hose; use the handle provided.
- In versions not equipped with TSS device, do not operate the cleaner for more than 1-2 minutes with the gun closed as this could damage the seals.
- Protect the cleaner from freezing during the winter.
- Do not obstruct the ventilation grilles during operation.
- The cross-section of any extension cables used must be proportional to their length, i.e. the longer the extension cable, the greater the cross-section; cables with a protection level of "IPX5" must be used.
- Position the cleaner AS NEAR POSSIBLE to the water supply.
- The packaging is easily recyclable, and must be disposed of in compliance with the regulations in force in the country of installation.
- Use the cleaner only with accessories and replacement parts authorized by the manufacturer. The use of original accessories and replacement parts will ensure safe, trouble-free operation.
- Ensure that the safety lock on the trigger is used, when you have stopped using the pressure washer to prevent accidental operation.
- Read all the instructions before using the machine.
- Machines shall not be used by children. Children should be supervised to ensure that they do not play with the machine. This machine is not intended for use by persons (including children) with reduced physical, sensory or mental capabilities, or lack of experience and knowledge
- The electrical supply connection shall be made by a qualified person and comply with IEC 60364-1. The electric supply to this machine should include either a residual current device that will interrupt the supply if the leakage current to earth exceeds 30 mA for 30 ms or a device that will prove the earth circuit.
- The machine is intended to be used at a temperature above 0 degree. (Only for machine with power cord of H05VV-F).
- The operating method to be followed in the event of accident (e.g. contact with detergents: rinse with an abundance of clean water) or breakdown to prevent unsafe situations.
- This machine has been designed for use with the cleaning agent supplied or recommended by the manufacturer. The use of other cleaning agents or chemicals may adversely affect the safety of the machine.
- Recommend the operator to wear ear protectors.
- Do not use the machine within range of persons unless they wear protective clothing.
- Do not direct the jet against yourself or others in order to clean clothes or foot-wear.
- Risk of explosion-Do not spray flammable liquids.
- High pressure hoses, fittings and couplings are important for the safety of the machine. Use only hoses, fittings and couplings recommended by the manufacturer.

- To ensure machine safety, use only original spare parts from the manufacturer or approved by the manufacturer.
- Water that has flown through backflow preventers is considered to be non-potable.
- The machine shall be disconnected from its power source by removing the plug from the socket-outlet during cleaning or maintenance and when replacing the machine to another function.
- Observe a distance of at least 30cm when using the jet to clean painted surfaces to avoid damaging paintwork.
- Do not use the machine if a supply cord or important parts of the machine are damaged, e.g. safety devices, high pressure hoses, trigger gun.
- If an extension cord is used, the plug and socket must be of watertight construction.
- Inadequate extension cords can be dangerous. If an extension cord is used, it shall be suitable for outdoor use, and the connection has to be kept dry and off the ground. It is recommended that this is accomplished by means of a cord reel which keeps the socket at least 60mm above the ground.
- In order to avoid a hazard due to inadvertent resetting of the thermal cut-out, this appliance must not be supplied through an external switching device, such as a timer, or connected to a circuit that is regularly switched on and off by the utility.
- To ensure the machine safety, please only use original spare parts (including nozzle) from the manufacturer or approved by the manufacturer. Do not use the machine before you changed them if they are damaged.
- Be careful of the danger of the kickback force on the spray assembly when opening the trigger gun and grasp the gun with hands firmly.
- To reduce the risk of injury, close supervision is necessary when a machine is used near children. High-pressure cleaner shall not be used by children or untrained person.
- Know how to stop the machine and bleed pressures quickly. Be thoroughly familiar with the controls.
- Stay alert and watch what you are doing.
- Do not operate the machine when fatigued or under the influence of alcohol or drugs.
- Keep operating area clear of all persons.
- Do not overreach or stand on unstable support. Keep good footing and balance at all times.
- Follow the maintenance instructions specified in the manual.
- This machine must be grounded. If it has malfunction or breakdown, grounding provides a path of least resistance for electric current to reduce the risk of electric shock. The plug must be plugged into an appropriate outlet that is properly installed and grounded in accordance with all local codes and ordinances. The rating voltage (V/Hz) of the machine has to be in compliance with the local power supplying voltage.
- Check with a qualified electrician or service personnel if you are in doubt as to whether the outlet is properly grounded. Do not modify the plug provided with the machine. If it will not fit the outlet, have a proper outlet installed by a qualified electrician. Do not use any type of adapter with this machine.
- Use only 3-wire extension cords that have 3-prong grounding-type plugs and 3-pole cord connectors that accept the plug from the machine. Use only extension cords that are intended for outdoor use and the socket must be of watertight construction. These extension cords are identified by a marking "Acceptable for use with outdoor machines; store indoors while not in use." Use only extension cords having an electrical rating not less than the rating of the machine. Do not use damaged extension cords. Examine extension cord before using and replace if damaged. Inadequate extension cords can be dangerous. Do not abuse extension cord and do not yank on any cord to disconnect. Keep cord away from heat and sharp edges. Always disconnect the extension cord from the receptacle before disconnecting the machine from the extension cord.
- To reduce the risk of electrocution, don't start and run the machine in the rain or storm. Keep all connections dry and off the ground. Do not touch plug with wet hands. It is strictly prohibited to let water leak into the machine.
- When the machine is running, please maintain a constant water supply. Without water circulation will damage the sealing rings of the machine.

- It is necessary to turn on the spray lance within one or two minutes after the machine has been started. Otherwise, the temperature of the circulating water within the machine will soon rise to a critical point, which will cause damage to the sealing rings inside the machine.
- Don't start and run the machine in a place excessively cold so as to prevent the machine from the freezing current.
- This machine has been designed for only using cleaning water, do not use corrosive chemicals.
- Use cleaning agent supplied or recommend by the manufacturer.
- High-pressure jets can be dangerous if subject to misuse. The jet must not be directed at persons, animals, live electrical equipment or the machine itself. Pressure washers should not be pointed at tire walls, as it may be possible to damage them.
- Do not direct the jet against yourself or others in order to clean clothes or footwear.
- Disconnect from the electrical power supply before carrying out user maintenance.
- If the mains cable is damaged it must be replaced by the manufacturer, or its service agent or similarly qualified person to avoid a hazard.
- Do not use the machine if a supply cord or important parts are damaged, e.g. safety devices, high pressure hoses, trigger gun.
- Be aware of the recoil caused by the water jet when the machine is switched on.
- When the machine is moving and installing, the machine must be in flat. When moving the machine, pulling the handle to move it.
- Connect to the water supply. The machines are not suitable for connection to portable water mains. Connect the machine to the water supply. (It can be a water container).
- Make sure the inlet water pressure keeps between 0.01MPa and 1.2MPa. The inlet pipe should at least 5 M long. Do not use the pipe if the pipe is damaged. If you want connect this machine to portable water mains, you must install a backflow preventer in the water pipe to prevent dirty water flow back to the drinking water system. The backflow preventer shall comply with EN 60335-2-79 ANNEX AA.

3. ASSEMBLY



The motor of this pressure washer will NOT run. It will only operate when the trigger is squeezed.



CAUTION! *The cleaner must only be used with clean water; use of unfiltered water or corrosive chemicals will damage the cleaner.*

- Turn the motor switch to the "0" position.
- Check that the electrical supply voltage and frequency (Volts/Hz) correspond to those specified on the cleaner data plate.
- Ensure that you have a suitable water supply to feed the pressure washer.
- Connect the outlet hose to the washer and connect the spray gun to the outlet hose.
- Connect lance and possibly lance extension.
- Check gauze filter is clear of any blockage.
- Connect the water supply hose.
- Check that the hose has no kinks in it.
- Turn on water and check for leaks.
- Squeeze trigger to allow air to be expelled through the pump and hoses, lock trigger.
- Plug in machine and turn on switch.
- Unlock trigger and use the pressure washer.

Shut down

1. Turn off the motor (turn switch to the off position).
2. Unplug the unit from the power source.
3. Turn off the water supply.
4. Press the trigger of the gun to depressurize the system.
5. Disconnect the garden hose from the pressure washer.
6. Wipe all surfaces of the unit with a damp clean cloth.
7. Engage the gun safety lock.



CAUTION: *ALWAYS turn off the unit's motor BEFORE turning off the unit's water supply. Serious damage could occur to the motor if the unit is run without water.*



CAUTION: NEVER disconnect the high-pressure discharge hose from the machine while the system is still pressurized. To depressurize the unit, turn off the motor, turn off the water supply and squeeze the trigger 2-3 times



Warning! This unit is to be used with a cold-water source only!

Electrical Cables

- Ensure that all cables are damage free before connecting to the power supply. Plug in the pressure washer and turn the unit on with the main switch (2).

4. USE



CAUTION! The machine may cause electrical disturbances when starting.

- If the motor stops and fails to restart, wait 2-3 minutes before restarting. THERMAL CUTOFF TRIPPED

Adjusting the nozzle

Fig. 2

- Water may be sprayed out of the nozzle either linearly or in a fan shape. Turn on the pressure first, and then adjust the nozzle.

Adjusting the working pressure

Fig. 3

The working pressure can be adjusted by sliding the end of the adjustable spray gun back or forward.

- Slide backward to increase the working pressure.
- Slide forward to reduce the working pressure.

Adjusting the detergent rate

Fig. 4

To adjust the rate detergent is mixed with the water you can turn the detergent knob.

- Turn left to decrease the amount of detergent added.
- Turn Right to increase the amount of detergent added.

Water inlet filter

- The water inlet filter must be inspected regularly, so as to avoid blockage and restriction of the water supply to the pump.



CAUTION! Never disconnect the high-pressure hose from the machine while the system is still pressurized.

5. SERVICE & MAINTENANCE



Warning! Unplug the electric cable (power source) prior to any maintenance or preparatory storage operations.

- Make sure that the machine is not live when carrying out maintenance work on the motor.
- To ensure good performance, check and clean the suction and detergent filters after every 50 hours of operation.

Malfunction

Should the machine fail to function correctly, a number of possible causes and the appropriate solutions are given below:

1. When switched on, the machine will not start working.

- Plug is not well connected or electric socket is faulty.
 - Check plug, socket and fuse.
- The mains voltage is lower than the minimum requirement for start up.
 - Check that the mains voltage is adequate.
- The pump is stuck.
 - Refer to after storage instructions. Switch off the unit and let the motor cool.
- Thermal safety has tripped.
 - Leave the lance open with water coming through.

2. Fluctuating pressure

- Pump sucking air
 - Check that hoses and connections are airtight
- Valves dirty, worn out or stuck. Pump seals worn.
 - Clean and replace or refer to dealer.

3. Water leaking from the pump

- Seals worn out
 - Check and replace, or refer to dealer

4. The motor stops suddenly

- Thermal safety switch has tripped due to overheating.
 - *Check that the mains voltage corresponds to specifications. An extension cable, which is too thin, and too long can cause a voltage drop and cause the motor to overheat. Leave to cool down. Use heavy duty extension cables.*

5. The pump does not reach the necessary pressure.

- Water inlet, filter is clogged
 - *Clean the water inlet filter*
- Pump sucking air from connections or hoses
 - *Check that all supply connections are tight*
- Suction/ delivery valves are clogged or worn out.
 - *Check that the water feeding hose is not leaking.*
- Unloader valve is stuck
 - *Clear or respire valves*
- Lance nozzle incorrect or worn out
 - *Loosen and re-tighten regulation screw*
Check and/ or replace.



Repairs and servicing should only be carried out by a qualified technician or service firm.

Cleaning

Keep the ventilation slots of the machine clean to prevent overheating of the engine.

Clean the housing regularly with a soft cloth, preferably every time it is used.

Keep the air vents free of dust and dirt. Remove stubborn dirt with a soft rag moistened in soapy water. Do not use any solvents such as petrol, alcohol, ammonia, etc. as such substances can damage the plastic parts.

Lubrication

The appliance does not need any extra lubrication.

Storage and transportation

Keep the high pressure washer in well-ventilated dry premises with temperature not going below +5°C. Operate the cleaner with non-corrosive/ non-toxic antifreeze before storing for the winter.

Faults

If a fault arises through wear in an element, please contact the service address shown on the warranty card. A drawing of the spare parts that may be obtained is included at the end of these operating instructions.

ENVIRONMENT

To prevent damage during transport, the appliance is delivered in a solid packaging which consists largely of reusable material. Therefore please make use of options for recycling the packaging.



Damaged and/or disposed of electrical or electronic devices must be dropped off at recycling stations intended for that purpose.

Only for EC countries

Do not dispose of power tools into domestic waste. According to the European Guideline 2012/19/EC for Waste Electrical and Electronic Equipment and its implementation into national right, power tools that are no longer usable must be collected separately and disposed of in an environmentally friendly way.

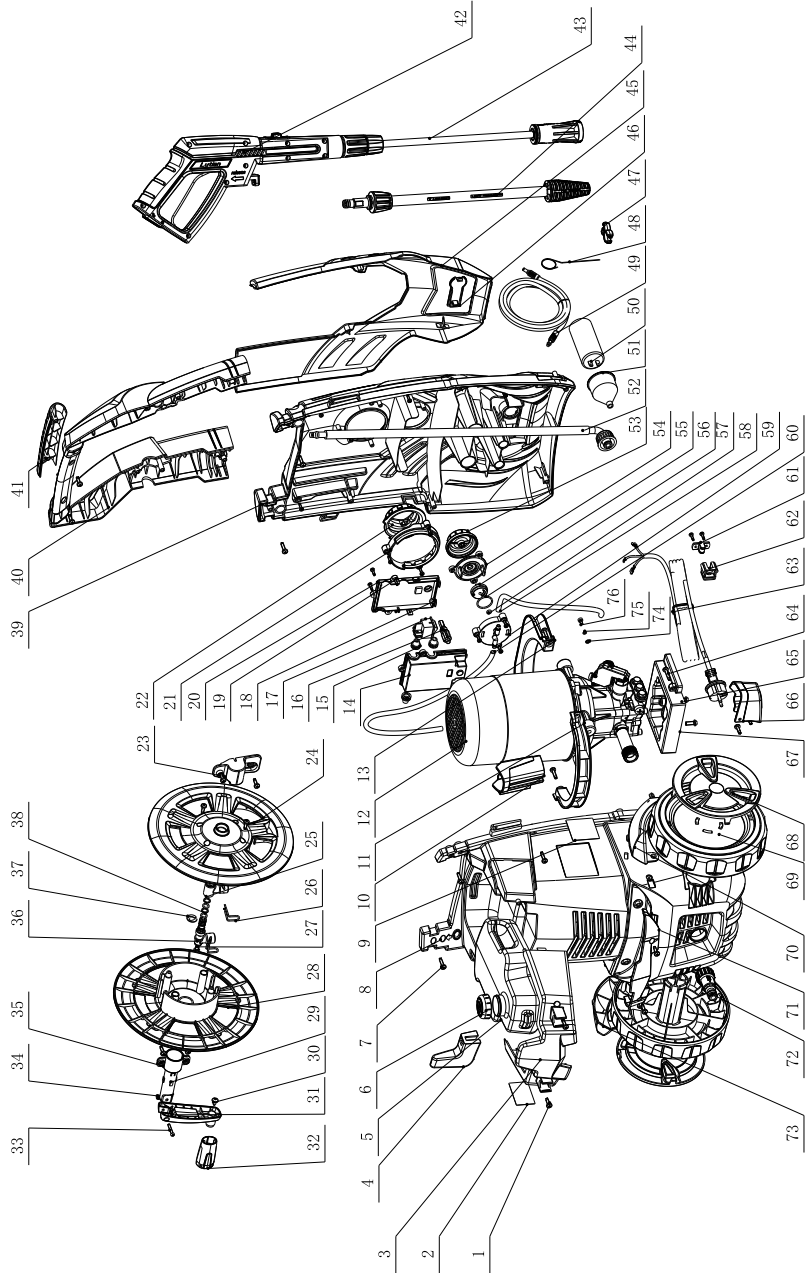
The product and the user manual are subject to change.

Specifications can be changed without further notice.

WARRANTY

Read the terms of warranty on the separate warranty card which is enclosed.

Exploded view



Spare parts list

GRM1024 - High pressure cleaner

| Art. No. | Description | Position no. |
|-----------------|---------------------------------|---------------------|
| 410114 | Accessories holder | 3 |
| 410115 | Cable hook | 4 |
| 410116 | Detergent bottle + cap | 5 6 |
| 410117 | Back housing | 8 |
| 410118 | Gun holder | 10 |
| 410119 | Lower fixed mount | 11 |
| 410120 | Upper fixed mount | 13 |
| 410121 | main switch box | 14 |
| 410122 | Main switch lever | 16 |
| 410123 | Main switch | 17 |
| 410124 | Main switch box | 20 |
| 410125 | Switch knob locating plate | 21 |
| 410126 | Switch knob | 22 |
| 410127 | Hose reel complete | 22..38 |
| 410128 | Front housing | 39 |
| 410129 | Handle | 40 |
| 410130 | Handle sleeve | 41 |
| 410131 | Gun + adjustable nozzle | 42 43 |
| 410132 | Decorative plate(front) | 45 |
| 410133 | Drainage holes cover plate | 46 |
| 410134 | Hose clip | 47 |
| 410135 | High pressure hose | 49 |
| 410136 | Built-in pressure hose | 52 |
| 410137 | Detergent adjusting knob | 53 |
| 410138 | Detergent adjusting valve deck | 54 |
| 410139 | Detergent adjusting valve spool | 55 |
| 410140 | Built-in detergent tube | 58 |
| 410141 | Detergent adjusting valve seat | 59 |
| 410142 | Self-prime tube | 60 |
| 410143 | Gunstock | 66 |
| 410144 | Pump fixed seat | 67 |
| 410145 | Wheel + cover | 68 69 |
| 410146 | Wheel guard plate(left) | 70 |
| 410147 | Accessories bracket | 71 |
| 410148 | Quick connector&water filter | 72 |
| 410149 | Wheel guard plate(right) | 73 |
| 410150 | Gasket 4 | 74 |
| 410151 | Gasket 4 | 75 |



DECLARATION OF CONFORMITY GRM1024 - HIGH PRESSURE CLEANER

- (EN) We declare under our sole responsibility that this product is in conformity with directive 2011/65/EU of the European parliament and of the council of 8 June on the restriction of the use of certain hazardous substances in electrical and electronic equipment is in conformity and accordance with the following standards and regulations:
- (DE) Der Hersteller erklärt eigenverantwortlich, dass dieses Produkt der Direktive 2011/65/EU des Europäischen Parlaments und des Rats vom 8. Juni 2011 über die Einschränkung der Anwendung von bestimmten gefährlichen Stoffen in elektrischen und elektronischen Geräten entspricht. den folgenden Standards und Vorschriften entspricht:
- (NL) Wij verklaren onder onze volledige verantwoordelijkheid dat dit product voldoet aan de conform Richtlijn 2011/65/EU van het Europees Parlement en de Raad van 8 juni 2011 betreffende beperking van het gebruik van bepaalde gevaarlijke stoffen in elektrische en elektronische apparatuur en in overeenstemming is met de volgende standaarden en reguleringen:
- (FR) Nous déclarons sous notre seule responsabilité que ce produit est conforme aux standards et directives suivants: est conforme à la Directive 2011/65/EU du Parlement Européen et du Conseil du 8 juin 2011 concernant la limitation d'usage de certaines substances dangereuses dans l'équipement électrique et électronique.
- (ES) Declaramos bajo nuestra exclusiva responsabilidad que este producto cumple con las siguientes normas y estándares de funcionamiento: se encuentra conforme con la Directiva 2011/65/UE del Parlamento Europeo y del Consejo de 8 de junio de 2011 sobre la restricción del uso de determinadas sustancias peligrosas en los equipos eléctricos y electrónicos.
- (PT) Declaramos por nossa total responsabilidade-de que este produto está em conformidade e cumpre as normas e regulamentações que se seguem: está em conformidade com a Directiva 2011/65/UE do Parlamento Europeu e com o Conselho de 8 de Junho de 2011 no que respeita à restrição de utilização de determinadas substâncias perigosas existentes em equipamento eléctrico e electrónico.
- (IT) Dichiariamo, sotto la nostra responsabilità, che questo prodotto è conforme alle normative e ai regolamenti seguenti: è conforme alla Direttiva 2011/65/UE del Parlamento Europeo e del Consiglio dell'8 giugno 2011 sulla limitazione dell'uso di determinate sostanze pericolose nelle apparecchiature elettriche ed elettroniche.
- (SV) Vi garanterar på eget ansvar att denna produkt uppfyller och följer följande standarder och bestämmelser: uppfyller direktiv 2011/65/UE från Europeiska parlamentet och EG-rådet från den 8 juni 2011 om begränsningen av användning av farliga substanser i elektrisk och elektronisk utrustning.
- (FI) Vakuutamme yksinomaan omalla vastuullamme, että tämä tuote täyttää seuraavat standardit ja säädokset: täyttää Euroopan parlamentin ja neuvoston 8. kesäkuuta 2011 päivätyn direktiivin 2011/65/EU vaatimukset koskien vaarallisten aineiden käytön rajoitusta sähkö- ja elektroniikka laitteissa.
- (NO) Vi erklærer under vårt eget ansvar at dette produktet er i samsvar med følgende standarder og regler: er i samsvar med EU-direktivet 2011/65/UE fra Europa-parlamentet og Europa-rådet, pr. 8 juni 2011, om begrensning i bruken av visse farlige stoffer i elektrisk og elektronisk utstyr.
- (DA) Vi erklærer under eget ansvar, at dette produkt er i overensstemmelse med følgende standarder og bestemmelser: er i overensstemmelse med direktiv 2011/65/UE fra Europa-Parlamentet og Rådet af 8. juni 2011 om begrænsning af anvendelsen af visse farlige stoffer i elektrisk og elektronisk udstyr.
- (HU) Felelősségünk teljes tudatában kijelentjük, hogy ez a termék teljes mértékben megfelel az alábbi szabványoknak és előírásoknak: je v souladu se směrnicí 2011/65/EU Evropského parlamentu a Rady EU ze dne 8. června 2011, která se týká omezení použití určitých nebezpečných látek v elektrických a elektronických zařízeních.
- (CZ) Na naši vlastní zodpovědnost prohlašujeme, že je tento výrobek v souladu s následujícími standardy a normami: Je v súlade s normou 2011/65/EU Európskeho parlamentu a Rady z 8. júna 2011 týkajúcej sa obmedzenia používania určitých nebezpečných látok v elektrickom a elektronickom vybavení.
- (SK) Vyhlasujeme na našu výhradnú zodpovednosť, že tento výrobok je v zhode a súlade s nasledujúcimi normami a predpismi: Je v súlade s normou 2011/65/EU Európskeho parlamentu a Rady z 8. júna 2011 týkajúcej sa obmedzenia používania určitých nebezpečných látok v elektrickom a elektronickom vybavení.
- (SL) S polno odgovornostjo izjavljamo, da je ta izdelek v skladu in da odgovarja naslednjim standardom ter predpisom: je v skladu z direktivo 2011/65/EU Evropskega parlamenta in Sveta z dne 8. junij 2011 o omejevanju uporabe določenih nevarnih snovi v električni in elektronski opremi.
- (PL) Deklarujemy na własną odpowiedzialność, że ten produkt spełnia wymogi zawarte w następujących normach i przepisach: jest zgodny z Dyrektywą 2011/65/UE Parlamentu Europejskiego i Rady z dnia 8 czerwca 2011 r. w sprawie ograniczenia stosowania niektórych niebezpiecznych substancji w sprzęcie elektrycznym i elektronicznym.
- (LT) Prisiimdami visa atsakomybę deklaruojame, kad šis gaminys atitinka žemiau paminėtus standartus arba nuostatus: atitinka 2011 m. birželio 8 d. Europos Parlamento ir Tarybos direktyvą 2011/65/EB dėl tam tikrų pavojingų medžiagų naudojimo elektros ir elektroninėje įrangoje apribojimo.
- (LV) Ir atbilstoša Eiropas Parlamenta un Padomes 2011. gada 8. jūnija Direktīvai 2011/65/ES par dažu bīstamu vielu izmantošanu ierobežošanu elektriskās iekārtās.
- (ET) Argalvojam ar visu atbildību, ka šis produktis ir saskaņā un atbilst sekojošiem standartiem un nolikumiem: ir atbilstoša Eiropas Parlamenta un Padomes 2011. gada 8. jūnija Direktīvai 2011/65/ES par dažu bīstamu vielu izmantošanas ierobežošanu elektriskās iekārtās.
- (RO) Declaram prin aceasta cu răspundere deplină că produsul acesta este în conformitate cu următoarele standarde sau directive: este în conformitate cu Directiva 2011/65/UE a Parlamentului European și a Consiliului din 8 iunie 2011 cu privire la interzicerea utilizării anumitor substanțe periculoase la echipamentele electrice și electronice.
- (HR) Izjavljujemo pod vlastitom odgovornošću da je strojem ukladan sa sljedećim standardima ili standardiziranim dokumentima i u skladu sa odredbama: usklađeno s Direktivom 2011/65/EU Evropskog parlamenta i vijeća izdanom 8. lipnja 2011. o ograničenju korištenja određenih opasnih tvari u električnoj i elektroničkoj opremi.
- (SRL) Pod punom odgovornošću izjavljujemo da je usaglašen sa sledećim standardima ili normama: usaglašen sa direktivom 2011/65/EU Evropskog parlamenta i Saveta od 8.juna.2011. godine za restrikciju upotrebe određenih opasnih materija u električnoj i elektronoj opremi.
- (RU) Под свою ответственность заявляем, что данное изделие соответствует следующим стандартам и нормам: соответствует требованиям Директивы 2011/65/ЕU Европейского парламента и совета от 8 июня 2011 г. по ограничению использования определенных опасных веществ в электрическом и электронном оборудовании
- (UK) Na svoju vlasnu відповідальність заявляємо, що дане обладнання відповідає наступним стандартам і нормативам: задовольняє вимоги Директиви 2011/65/ЄС Європейського Парламенту та Ради від 8 червня 2011 року на обмеження використання деяких небезпечних речовин в електричному та електронному обладнанні.
- (EL) Δηλώνουμε υπεύθυνα ότι το προϊόν αυτό συμμορφώνεται με την Οδηγία 2011/65/ΕΕ του Ευρωπαϊκού Κοινοβουλίου και του Συμβουλίου της 8ης Ιουνίου 2011 για τον περιορισμό της χρήσης ορισμένων επικίνδυνων ουσιών σε ηλεκτρικό και ηλεκτρονικό εξοπλισμό.
- (AR) نعلن على مسؤوليتنا ان هذا المنتج متوافق مع المواصفات والمواصفات الواردة في توجيه 2011/65/UE من البرلمان الأوروبي والمجلس بتاريخ 8 يونيو 2011 بشأن تقييد استخدام بعض المواد الخطرة في المعدات الكهربائية والإلكترونية.
- (TR) Tek sorumluluğu biz olarak bu ürünüň aşagıdaki standart ve yönergelere uygun olduğunu beyan ederiz.
- (MK) Izjavуvame со наша целосна одговорност дека производот е во согласност со Смерницата 2011/65/EU на Европскиот парламент и е во согласност според Советот од 9 јуни за ограничување на користење на одредени опасни супстанции во електричната и електронската опрема и дека е според следните стандарди и регулативи:

EN 55014-1, EN 55014-2, EN 61000-3-2, EN 61000-3-11,
EN 60335-1, EN 60335-2-79, EN 62233

2006/42/EC, 2014/30/EU, 2011/65/EU, 2012/19/EU

Zwolle, 01-06-2017

H.G.F Rosberg
CEO FERM B.V.

FERM B.V. - Lingenstraat 6 - 8028 PM - Zwolle - The Netherlands

